

AKIRA Recessed Spot Light 20W/25W

Art Number	Model
WL111145	20W Fixed
WL111146	25W Fixed
WL111147	20W Adjustable
WL111148	25W Adjustable



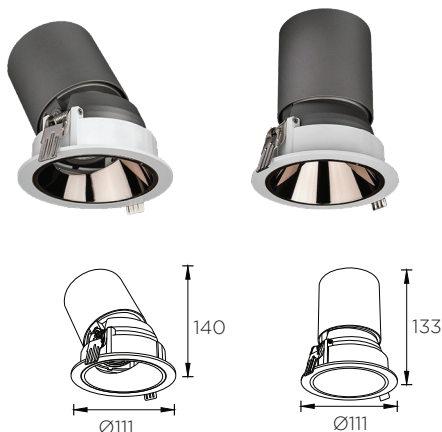
Features

AKIRA series developed a series of lighting fixtures, specially designed to balance the direct and indirect lighting

Reflector electroplated with black nickel absorb the light to prevent the reflector from making secondary glare

Lighting source deeply hid, luminous range contraction, to ensure that people cannot see the light source directly in a certain visual range, and to reduce the direct glare

Lighting optical system consist with two reflector, present a reasonable light distribution



Product Specification

LED Chip	LUMINUS LED
Power	20W/ 25W
Input	100-240VAC Remote Driver
Output	[1500lm(3K)/ 1575lm(4K)/ 1654lm(5K) 20W] [1800lm(3K)/ 1890lm(4K)/ 1985lm(5K) 25W]
CCT	3000K(30)/ 4000K(40)/ 5000K(50)
LED Type	COB
Power Factor	PF>0.45
UGR	<16

Technical Data

IP Rating	IP20
Housing/ Front Cover	Die cast aluminum+Zinc Alloys
Finishing	White(02)/ Black(04)
Diffuser	PC diffuser
Power Cable	H05RN-F 3x0.75 mm ² / L=0.5m
Mounting	Recessed trim for easy installation
Cutout	Ø95mm
Weight	582g (Fixed)/ 585g (Adjustable)
Tilt/ Rotate	30°/ 355°

Photometric Data

CRI	>95
Luminous Efficacy	72-75lm/W
Beam Angle	15°(15) /24°(24) /36°(36) /60°(60)
Operating Temp.	-20°C-+35°
Lumen maintenance	50,000 hours ≥70%

Order Code Example

Artnumber	Finish	Beam Angle	Color Temp
WL111173	BK(04)	15°(15)	3000K(30)
WL111129.04.15.30			