

**Art Number**  
WL111306

**Model**  
9W/12W 220-240VAC



## Features

- BETTY series downlights adopts high efficiency CREE LED as a light source
- Lamp body adopts split design and compact lamp structure with electroplating surface treatment art using the nano dust proof technology
- Deep bright anti-glare reflector design shading angles >30°, which creates a comfortable lighting environmental
- Lifespan is up to 50,000 hrs
- Easy to install, use stainless steel spring, safe and durable
- 0-10V, Dali, Triac dimmable & Dual White

## Product Specification

LED Chip	CREE LED
Power	9W/ 12W
Input	220-240VAC Remote Driver
Lumen	[720lm(2.7K-3K)/ 756lm(4K)/ 794lm(5K) 9W] [960lm(2.7K-3K)/ 1008lm(4K)/ 1058lm(5K) 12W]
CCT	2700K(27)/ 3000K(30)/ 4000K(40)/ 5000K(50)
LED Type	COB LED
Power Factor	PF>0.9
Class	Class II

## Technical Data

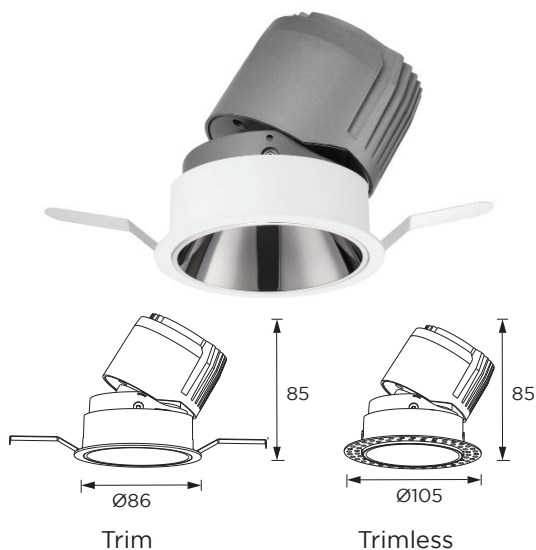
IP Rating	IP20
Housing	Die cast aluminum
Heat Sink	Die cast aluminum
Finishing	White(02)/ Black(04)
Power Cable	H05RN-F 3x0.75 mm <sup>2</sup> / L=0.5m
Mounting Sleeve	Stainless steel
Cutout	Ø75mm

## Photometric Data

CRI	90
Luminous Efficacy	80lm/W
Beam Angle	12°(12)/ 24°(24)/ 36°(36)/ 50°(50)
Operating Temp.	-20°C-+45°

## Order Code Example

Artnumber	Finish	Beam Angle	Color Temp
WL111276	WH(02)	36°(36)	3000K(30)
WL111276.02.36.30			



## Photometric Data

