

Art Number	Model	Model
WL891012	3W	L120
WL891013	6W	L195
WL891014	9W	L270



Features

LEVI series LED wall recessed luminaries adopts High lumen efficacy LED as a light source

This fixtures are supplied with 316 stainless steel trim and linear LED integrated together with a soft and opal glass diffuser.

IK10 body made with die cast aluminum alloy and opal polycarbonate with diffuser.

The narrow body can fit most of thin walls as well as plaster walls with two stainless springs

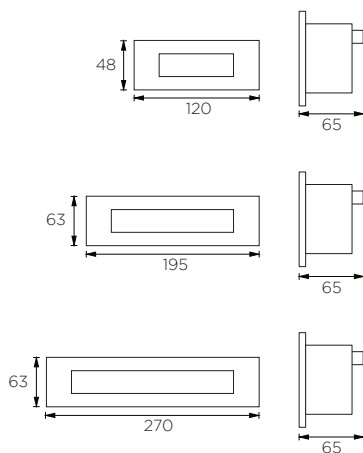
As a standard a recessed box is also included for concrete applications.

IP65 fixture is suitable in indoor, outdoor and architectural lighting application.



Product Specification

LED Chip	CREE LED
Power	3W/ 6W/ 9W
Input	220-240VAC with remote Driver
Lumen	360lm/ 750lm/ 1050lm
CCT	2700K(27)/ 3000K(30)/ 4000K(40)/ 5000K(50)
LED Type	SMD Led



Technical Data

Power Factor	>0.9
IP Rating	IP65
IK Rating	IK10
Housing/ Front Cover	Die cast aluminum/ Stainless steel
Finishing	SS(09)
Diffuser	Tempered glass with white matt
Mounting Sleeve	Stainless steel spring
Recessed Box	PC
Power Cable	H05RN-F 3x0.75 mm ² / L=0.5m 100-240VAC

Photometric Data

CRI	80
Luminous Efficacy	120lm/W 125lm/W 116lm/W
Beam Angle	110°(110)
Operating Temp.	-20°C-+50°

Order Code Example

Artnumber	Finish	Beam Angle	Color Temp
WL891013	SS(09)	110°(110)	3000K(30)
WL891013.09.110.30			