

SERIES BRIAN

Wall light 10W/20W IP65

Art Number	Model
WL891038	10W
WL891039	2x10W

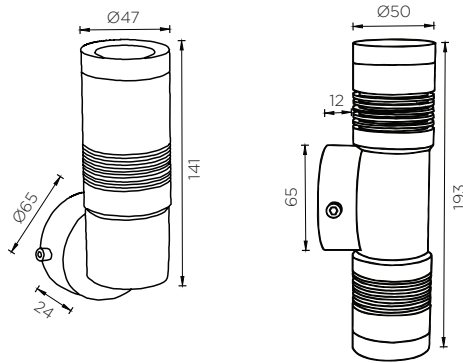


Features

- BRIAN series wall light adopts high power CREE led as a light source
- Body constructed with CNC aluminum and construct with compact and minimalist design
- IP65 solid housing with inbuilt driver and premium heatsink system inside the lamp
- Dimmable support: Triac, PWM, 1-10V, Dali, DMX 512
- Aluminum wall mounting base for easy installation
- IP65 fixture is suitable in indoor, outdoor and architectural lighting application

Product Specification

LED Chip	CREE LED
Power	10W/ 2x10W
Input	100-240VAC with integrated Driver
Lumen	800lm/ 1600lm
CCT	3000K(30)/ 4000K(40)/ 6000K(60)
LED Type	COB

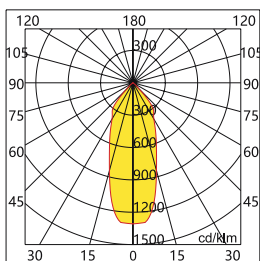


Technical Data

Power Factor	>0.9
IP Rating	IP65
IK Rating	IK07
Housing/ Front Cover	Anodized aluminum
Finishing	White(02)/ Black(04)/ Grey(06)
Diffuser	Aluminum
Mounting Base	Aluminum
Power Cable	H05RN-F 3x0.75 mm ² / L=0.5m 100-240VAC

Photometric Data

CRI	80
Luminous Efficacy	80lm/W
Beam Angle	18°(18)/ 36°(36)
Operating Temp.	-30°C-+50°



H[m]	D[m]	MaxLux	MedLux
0.40	0.20	3586	2158
0.80	0.40	896	540
1.20	0.60	398	240
1.60	0.81	224	135
2.00	1.01	143	86

Order Code Example

Artnumber	Finish	Beam Angle	Color Temp
WL891038	WH(02)	18°(18)	3000K(30)
WL891038.02.18.30			