

# SERIES BRIAN

# Wall light 15W/30W IP65



Art Number	Model
WL891060	15W
WL891074	2x15W

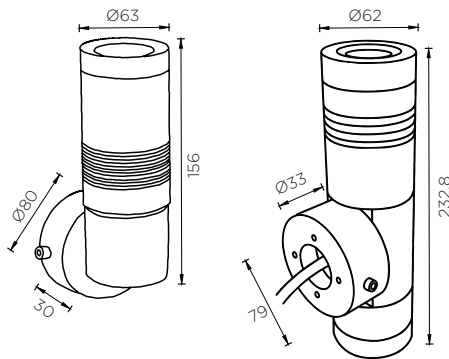


## Features

- BRIAN series wall light adopts high power CREE led as a light source
- Body constructed with CNC aluminum and construct with compact and minimalist design
- IP65 solid housing with inbuilt driver and premium heatsink system inside the lamp
- Dimmable support: Triac, PWM, 1-10V, Dali, DMX 512
- Aluminum wall mounting base for easy installation
- IP65 fixture is suitable in indoor, outdoor and architectural lighting application

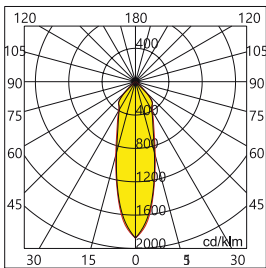
## Product Specification

LED Chip	CREE LED
Power	15W/ 2x15W
Input	100-240VAC with integrated Driver
Lumen	1200lm/ 2400lm
CCT	3000K(30)/ 4000K(40)/ 6000K(60)
LED Type	COB



## Technical Data

Power Factor	>0.9
IP Rating	IP65
IK Rating	IK07
Housing/ Front Cover	Anodized aluminum
Finishing	White(02)/ Black(04)/ Grey(06)
Diffuser	Aluminum
Mounting Base	Aluminum
Power Cable	H05RN-F 3x0.75 mm <sup>2</sup> / L=0.5m 100-240VAC



## Photometric Data

CRI	80
Luminous Efficacy	80lm/W
Beam Angle	24°(24)/ 36°(36)
Operating Temp.	-30°C-+50°

H[m]	D[m]	MaxLux	MedLux
0.60	0.31	3415	2013
1.20	0.63	854	503
1.80	0.94	379	224
2.40	1.25	213	126
3.00	1.57	137	81

## Order Code Example

Artnumber	Finish	Beam Angle	Color Temp
WL891038	WH(02)	18°(18)	3000K(30)

WL891038.02.18.30