

Art Number	Model	
WL961017	16W	24VDC Single Color
WL961018	18W	24VDC RGB



Features

- FUTON underwater surface light adopt OSRAM COB led as a light source for single color and SMD 3535 for RGB
- Body completely made in hard chrome plated molding shaped stainless steel AISI 316 L marine grade.
- PMMA 8 mm tempered safety glass light window with silicone gasket.
- Optical lens reflector efficiency @ $\geq 85\%$.
- Excellent heat conductivity aluminum PCB which gives co efficient of heat conductivity $\geq 2.0w/mk$.
- Built in overheat sensor system which helps to automatic shutdown @ $75^{\circ}C$.
- Available tripod optional accessories.
- Application environment must be the temperature of water between $-20^{\circ}C$ - $+40^{\circ}C$ less than 1 meter depth.
- Must be installed under the water to prevent the light from burning up because of over heating.

Product Specification

LED Chip	OSRAM/ SMD3535
Power	16W/ 18W
Input	24VDC
Output	1183lm/1344lm 528lm (RGB)
CCT	3000K(30), 4000K(40), 6000K(60), Red(RE), Green(GR), Blue(BL) RGB 3 in 1(01)
LED Qty	1 LED/ 6LED

Technical Data

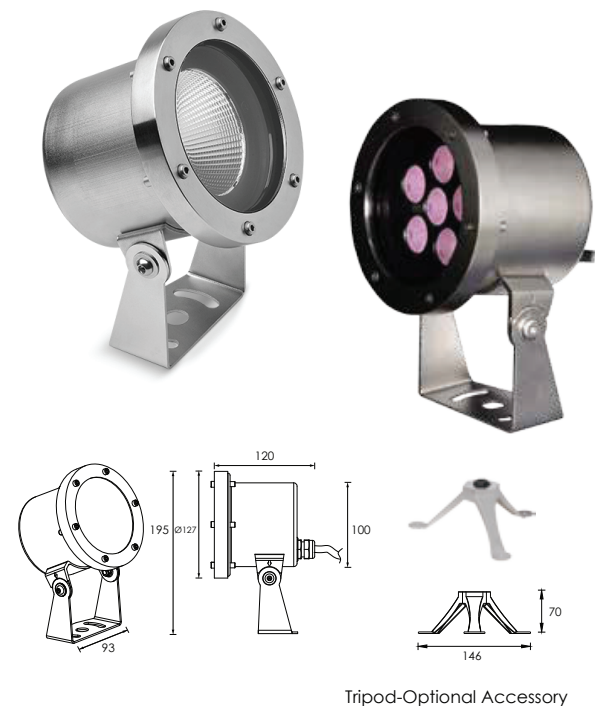
IP Rating	IP68
IK Rate	IK08
Housing/ Front Cover	Hard chromplated molding shaped Stainless steel SUS #316
Finishing	Stainless steel #316 (09)
Light Window	Tempered glass 8mm
Power Cable	H05RN-F 2x1.0mm ² / L=3m (Single color) H05RN-F 4x1.0mm ² / L=3m (RGB 3 in 1)
Mounting	Tripod/ Floor surface with bracket
Cable Gland	IP68 PG11 Copper with nickel coated

Photometric Data

CRI	80
Luminous Efficacy	74lm/W- 29lm/W(RGB)
Beam Angle	12°(12)/ 22°(22)/ 35°(35)/ 55°(55) (single Color) 30° (RGB)
Operating Temp.	-25°C-+50°

Order Code Example

Artnumber	Finish	Beam Angle	Color Temp
WL961012	SS(09)	30°(30)	3000K(30)
WL961012.09.30.30			



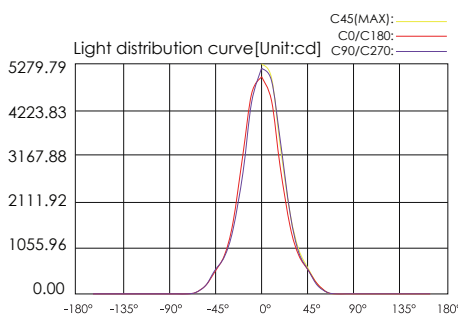
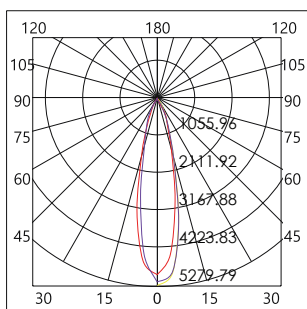
Tripod-Optional Accessory

•Warning: Must be installed under the water to prevent the light from being burnt off because of over-heating.

We reserve the right to make technical changes without prior notice
 Electrical/Optical data are subjected to a tolerance of +/-10%



Symmetrical Beam Angle 25°

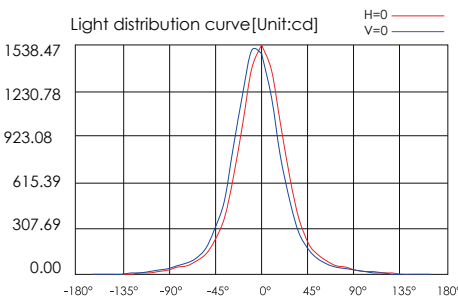
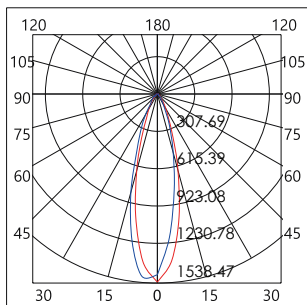


Lux distance cure

	Illuminance at a distance	
	Center beam LUX	Beam width V H
2m	1245.82 LUX	0.8m 0.8m
4m	311.45 LUX	1.7m 1.6m
6m	138.42 LUX	2.5m 2.5m
8m	77.86 LUX	3.3m 3.3m
10m	49.83 LUX	4.2m 4.1m
12m	34.61 LUX	5.0m 4.9m

Ver.Spread:23.5 Horiz.Spread:23.2

RGB Beam Angle 30°



Lux distance cure

	Illuminance at a distance	
	Center beam LUX	Beam width V H
2m	368.00 LUX	0.9m 0.9m
4m	92.00 LUX	1.9m 1.9m
6m	40.89 LUX	2.8m 2.8m
8m	23.00 LUX	3.8m 3.7m
10m	14.72 LUX	4.7m 4.7m
12m	10.22 LUX	5.7m 5.6m

Ver.Spread:26.5 Horiz.Spread:26.4

•Warning: Must be installed under the water to prevent the light from being burnt off because of over-heating.

We reserve the right to make technical changes without prior notice
 Electrical/Optical data are subjected to a tolerance of +/-10%