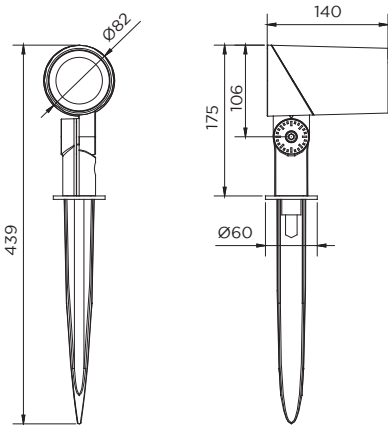


**Art Number**  
WL551027

**Model**  
10W 100-240VAC



## Features

- REMMY Series Adopts High power CREE LEDs on metal core PCB
- USE Optical PMMA Secondary light distribution technology
- Akzonobel stoving varnish finish, corrosion-resistance
- Proto genetic visor design for anti-glare application, reduce accumulation of dirt and get excellent self-cleaning performance
- Graduated disc: max vertical aiming: -60° to +80°.
- Horizontal rotation: -15° to +15°, one cable entry
- Up to IP65 and meet the work requirements of external environment, in dust-proof and water jet-proof.

## Product Specification

LED Chip	High Power CREE LED
Power	10W
Input	100-240VAC
Output	900lm
CCT	2700K(27)/ 4000K(40)/ 6000K(60)
LED Qty	1 LED

## Technical Data

IP Rating	IP66
IK Rating	IK05
Housing/ Front Cover	Die cast aluminum housing
Finishing	AGS(06)
Light Window	8mm thickness safety glass, clear glass
Diffuser	PMMA
Power Cable	H05RN-F 3x0.75 mm <sup>2</sup> / L=0.5m (high voltage)
Mounting Parts	Spike mounting
Graduated disc	Max vertical aiming -60°-80°
Mounting plate	Die casting zinc with nickel plating, corrosion resistance

## Photometric Data

CRI	80
Luminous Efficacy	90lm/W
Beam Angle	3°/ 8°/ 25°/ 10x45°
Operating Temp.	-25°C-+50°

## Order Code Example

Artnumber	Finish	Beam Angle	Color Temp
WL551027	AGS(06)	25°(25)	3000K(30)
WL551027.06.25.30			