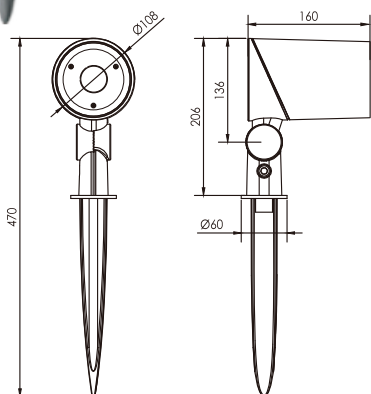


Art Number	Model
WL551029	30W 100-240VAC
WL551044	15W 100-240VAC
WL551045	12W 100-240VAC



Features

REMMY series flood light adopt American CREE original LED as light source with high lumen output which gives excellent consistency of light color. Luminaire made with high corrosion resistance powder coated varnish finish die casting aluminum surface with 8mm thickness safety clear glass sealed with silicone rubber gasket. Proto genetic visor design for anti-glare application, reduce accumulation of dirt and get excellent self-cleaning performance. Max vertical aiming at -60° to +80° graduated disc. Horizontal rotation at -15° +15° corrosion resistance die cast zinc with nickel mounting plate. Use optical PMMA secondary light distribution technology. Up to IP65 and meet the work requirements of external environment, in dust-proof and water jet-proof.

Product Specification

LED Chip	CREE
Power	30W/ 15W/ 12W
Input	100-240VAC
Output	2850lm/ 1350lm/ 1080lm
CCT	2700K(27)/ 4000K(40)/ 6000K(60)
LED Qty	3 LED
LED Type	High Power

Technical Data

IP Rating	IP66
IK Rating	IK05
Housing/ Front Cover	Die cast aluminum housing
Finishing	AGS(06)
Light Window	8mm thickness safety glass, clear glass
Diffuser	PMMA
Power Cable	H05RN-F 3x0.75 mm ² / L=0.5m (high voltage)
Mounting Parts	SPIKE
Graduated disc	Max vertical aiming -60° to -80°

2.6°/ 3.5°/ 12°/ 20°/ 30°/ 10X70° / 5X20°

Photometric Data

CRI	80
Luminous Efficacy	90lm/W (12W/15W) 95lm/W(30W)
Beam Angle	2.6°(02)/ 3.5°(03)/ 12°(12)/ 20°(20)/ 30°(30) 10°x70°(A12)/ 5°x20°(A13)
Operating Temp.	-25°C-+50°

Order Code Example

Artnumber	Finish	Beam Angle	Color Temp
WL551027	AGS(06)	25°(25)	3000K(30)
WL551027.06.25.30			