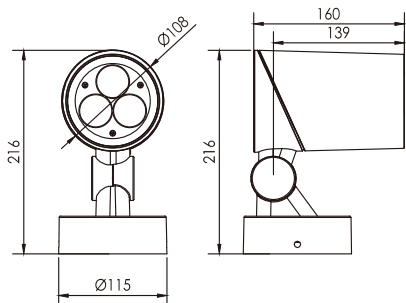
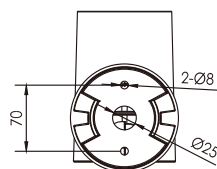


Art Number	Model
WL551030	20W 100-240VAC
WL551033	30W 100-240VAC



Features

REMMY series flood light adopt American CREE original LED as light source with high lumen output which gives excellent consistency of light color
 Luminaire made with high corrosion resistance powder coated varnish finish die casting aluminum surface with 8mm thickness safety clear glass sealed with silicone rubber gasket
 Proto genetic visor design for anti-glare application, reduce accumulation of dirt and get excellent self-cleaning performance
 Max vertical aiming at -60° to +80° graduated disc
 Horizontal rotation at -15° +15° corrosion resistance die cast zinc with nickel mounting plate
 Use optical PMMA secondary light distribution technology
 Up to IP65 and meet the work requirements of external environment, in dust-proof and water jet-proof.

Product Specification

LED Chip	High Power CREE LED
Power	20W/ 30W
Input	100-240VAC
Output	1800lm/ 2850lm
CCT	2700K(27)/ 4000K(40)/ 6000K(60)
LED Qty	1 LED/ 3 LED

Technical Data

IP Rating	IP66
IK Rating	IK05
Housing/ Front Cover	Die cast aluminum housing
Finishing	AGS(06)
Light Window	8mm thickness safety glass, clear glass
Diffuser	PMMA
Power Cable	H05RN-F 3x0.75 mm ² / L=0.5m (high voltage)
Mounting Parts	Mounting plate
Graduated disc	Max vertical aiming -60°-80°
Mounting plate	Die casting zinc with nickel plating, corrosion resistance

Photometric Data

CRI	80
Luminous Efficacy	90-95lm/W
Beam Angle	[12°(12)/ 24°(24)/ 38°(38)/ 45°(45)/ 60°(60) 20W] [2.6°(2)/ 3.5°(3)/ 12°(12)/ 20°(20)/ 30°(30) 10°x70°(A12)/ 5°x20°(A13) 30W]
Operating Temp.	-25°C-+50°

Order Code Example

Artnumber	Finish	Beam Angle	Color Temp
WL551027	AGS(06)	25°(25)	3000K(30)
WL551027.06.25.30			