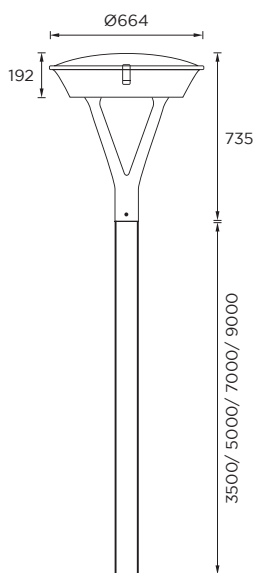
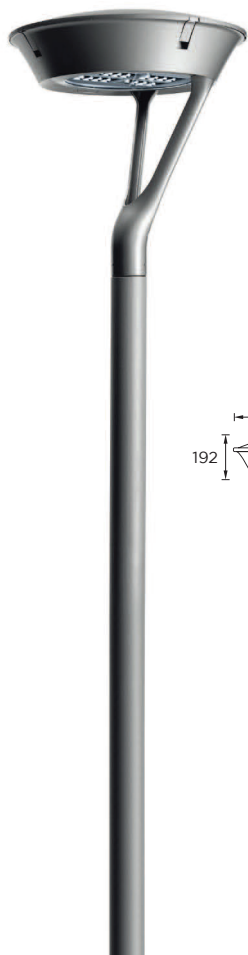


SERIES TEAGAN

Pole & Street Light 50W

Art Number WL981000
Model 100-240VAC 50W



Features

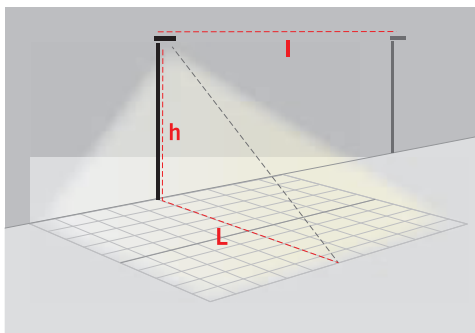
- TEAGAN series bollard light adopt with Brand CREE LED.
- Body made by good corrosion resistance aluminum alloy with the surface fluorocarbon paint treatment including pole.
- Translucent cover for transparent toughened glass
- Anti ultraviolet corrosion resistant to high and low temperature
- Use stainless steel fastening screws and silicone rubber seal
- Whole pole made by high quality carbon structural hot dip galvanized steel or aluminum.

Product Specification

LED Chip	CREE LED
Power	50W
Input	100-240VAC
Output	3127lm(3K)/ 3439lm(4K)/ 3783lm(6K)
CCT	3000K(30)/ 4000K(40)/ 6000K(60)

Technical Data

IP Rating	IP65
Housing/ Front Cover	Aluminum alloy
Finishing	Black(04), Grey(06)
Light Window	Transparent toughened Glass
Power Cable	H05RN-F 3x0.75 mm ² / L=0.5m (high voltage)
Fastening	Stainless steel screw
Pole material	Steel/ Aluminum
Power Factor	>0.9



D= L/H
H= Installation Height
L= Width of area to be lit
I= Spacing between poles

Photometric Data

CRI	80
Luminous Efficacy	62.54lm/W
Beam Angle	Diffused (D)
Operating Temp.	-35°C~+55°

Order Code Example

Artnumber	Finish	Beam Angle	Color Temp
WL981000	BL(04)	Diffused(D)	3000K(30)
WL981000.04.D.30			